
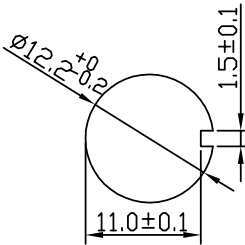
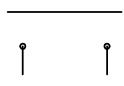

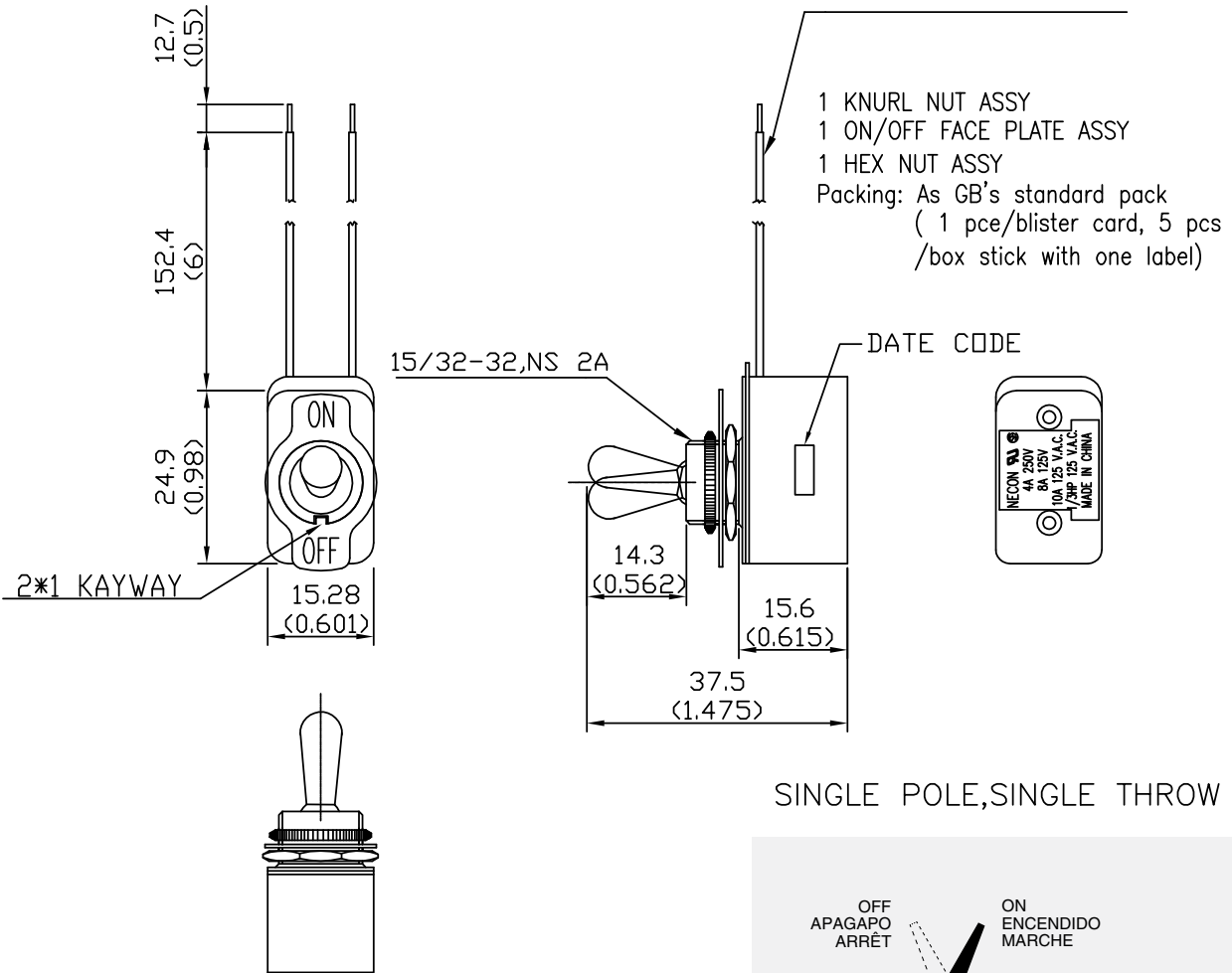


Rating	4A 250V, 8A 125V 10A 125V.A.C., 1/3HP 125V.A.C. 	Mount Hole		Circuit Structure		
Contact R	50m ohm Max.			OFF		
Insulation R	DC 500V 100M ohm Min.				ON	
Dielectric Strength	AC 1500V 1 minute					
Circuit	2P SPST ON-OFF					

1.  RECOGNIZED.

STRANDED BARE COPPER
WIRE 18 AWG 105°C
UL & CSA. AWM #1015



SINGLE POLE, SINGLE THROW

